

All Rights Reserved

Materials and specifications are subject to change without notice.
Featured machines in photos may include additional equipment. See your XCMG dealer for available options.



Mini Excavators
XE27U 



**ADVANCEQUIP ARE THE EXCLUSIVE DISTRIBUTORS OF
XCMG MINI EXCAVATORS IN NEW ZEALAND**

AUCKLAND
211 ROSCOMMON ROAD
WIRI
AUCKLAND
2104

CHRISTCHURCH
7 WASHBOURNES ROAD
WIGRAM
CHRISTCHURCH
8042

GORE
1A HYDE ROAD
GORE
SOUTHLAND
9710



0800 483 739
www.advancequip.co.nz

Rated Power: 15.6kw
Operating Weight: 2.78t
Standard Bucket Capacity: 0.06m³





INTRODUCTION OF XCMG

Founded in 1943, XCMG is a multinational corporation with the most comprehensive range of competitive, influential products in the construction machinery industry. Our business covers eight key areas: construction machinery, heavy trucks, mining machinery, sanitation machinery, machinery components, construction, finance, and the ICT industry.

XCMG has established a global R&D network with a total of six centers in China, the US, Germany, Brazil and India, with China national technology center at its core. In addition to a number of manufacturing bases in China, the US, Germany, the Netherlands, Poland, Austria, Brazil, India, and Uzbekistan, we possess two complete machine brands (XCMG, Schwing), and several component brands including FT, AMCA. It is the strength of this global R&D network and manufacturing operations that has made XCMG the industry leading global construction equipment manufacturer that it is today.

For more than 30 years, XCMG has been sowing the seeds of overseas development as the No. 1 exporter in China's construction machinery industry. Today, we have 42 branches and offices, 315 distributors, 526 contractors in 188 countries and regions worldwide and are still growing rapidly.

ABOUT ADVANCEQUIP

From its humble beginnings in Southland in 2004 as a regional distributor for used trucks and machinery, to the National Distributor for globally respected brands including CASE Construction, IVECO ASTRA, ASV Posi-track, and now XCMG Compact Excavators, AdvanceQuip has never taken its focus off delivering high quality equipment and services.

100% NZ family owned and operated, with 4 company locations and a further 7 Service & Parts locations, AdvanceQuip can support customers throughout NZ.



High Performance from a Compact size

► A Superior Model with Passionate Design

Developed with the concept of "Safe, Reliable, Efficient and Comfortable", the XE27U hydraulic excavator offers additional value to the operator. New features are presented making the machines more productive, versatile, and cost effective.

- Kubota Stage V D1105 engine, along with load-sensing of the hydraulic system provides efficiency and fuel economy.
- This compact short-tail excavator is designed to perform a wide variety of tasks on the most challenging job sites. It doesn't matter whether it is in demolition, landscaping, earthmoving or material handling. It gets the job done!
- Convenient accessible service points makes maintenance easier and reduces your potential downtime.

Boom Swing

The boom swing function allows you to work in very narrow areas. The left and right boom swing angle is respectively 75° and 55°, it can realize complex operation together with upper structure slewing to ensure that the digging is parallel with wall surface in narrow space through the cooperation of upper structure slewing so as to easily deal with various operation conditions.

Made for Easy Transportation

With a set of buckets, hammer and a trailer, our XE27U weighs less than 3,5 tonnes. The easy accessible tiedown points make it easy to switch between your jobsites.



Complete Equipped with AUX1, AUX2, and Quick Coupler lines.

With the multiple programmable 2-way proportional auxiliary lines and quick-coupler piping the XE27U meets almost all your attachment needs.

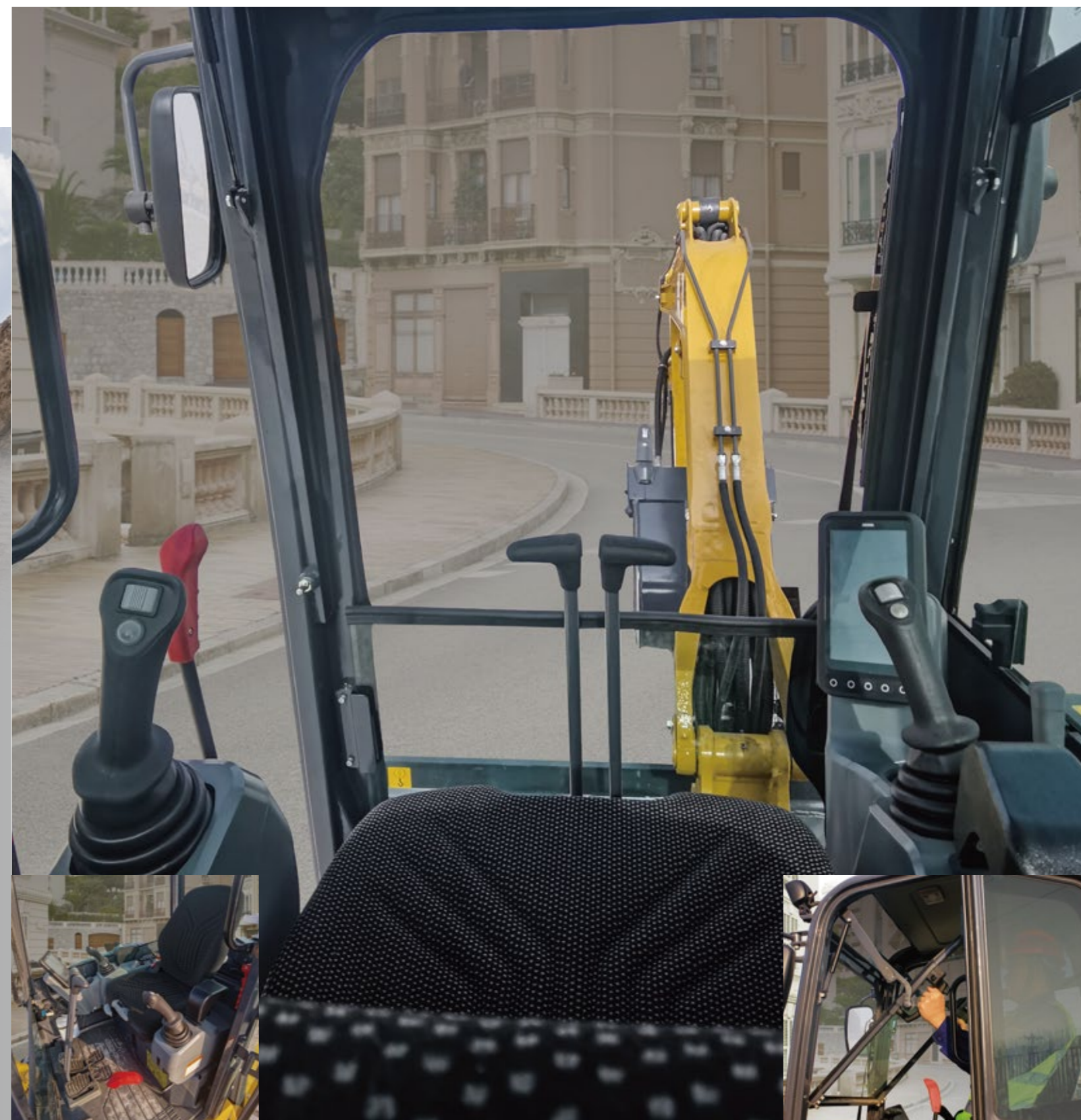
Boom, Arm Safety Valves and Blade Holding Valve as Standard

The XE27U is fitted as standard with a boom cylinder safety valve, an arm cylinder valve and a dozer holding valve to dig and handle all your material in a safe way.

Operational Comfort

► Large Operator Environment with Ergonomic Control Layout

The XE27U gives the operator a large comfortable space in which to work. The ergonomic control layout, travel levers with pedals and adjustable wrist rests are engineered to reduce operator fatigue and increase productivity.



► **Easy Service Access**

XE27U is developed with taking particular attention to ease of service access. With a single access point for the daily maintenance of all main components, fuel level gauge and refuelling through the lockable cap.



One-sided Engine Maintenance

The XE27U is designed for lower maintenance cost with longer service intervals - resulting in more machine availability on-site. Meanwhile, skilled XCMG-trained technicians are available to provide extra support when needed.



- ① Water separator
- ② Air cleaner
- ③ Engine oil filter
- ④ Fuel filter

■ **Engine**

XE27E	
Make/model	Kubota/D1105 /EU Stage V
Fuel/cooling	Diesel/Liquid,forced circulation
No. of cylinders	3
Piston displacement	1123cm ³
Power output	15.4 kw (20.9 hp) / 2400 rpm (ISO 14396)
Max torque	70.3N.m/1600 rpm
Bore x stroke	78.0x78.4mm
Alternator	12V-40A

■ **Hydraulic system**

This original XCMG design allows independent and combined operations of all functions by hydraulic pilot controlled levers.

● **Pump**

XE27E	
Type	Load-sensing axial-piston pump with variable displacement
Total hydraulic capacity	40L
AUX1 & AUX2 maximum flow rate	25L/min
AUX1/AUX2 standard relief pressure	180/180bar

● **Maximum system pressure**

XE27E	
Boom	24.3bar
Arm / bucket / travel	243bar/243bar/190bar
Swing	162bar

■ **Undercarriage**

X-type undercarriage. The heavy-duty crawler chassis is very resilient with its fully welded, stress-free structure. Long service life is ensured by the use of first-class materials: hydraulic chain adjusters with shock-absorbing return springs, lifetime-lubricated track rollers and idlers.

● **Number of rollers and track shoes**

XE27E	
Bottom rollers (per side)	3
Track shoes	Rubber
Overall track length	1980
Shoe width	300



■ **Fluid capacities**

XE27E	
Cooling system (radiator capacity)	6.5L
Engine lubrication plus oil filter	5.1L
Fuel tank	33L
Hydraulic tank	22L
Hydraulic system	40

■ **Environment**

Noise levels comply with environmental regulations (dynamic values).

● **Noise emission**

XE25E	
Noise level LpA (ISO 6396)	79dB(A)
Noise level LwA (ISO 6395)	93dB(A)

■ **Swing mechanism**

High-torque, axial piston motor with planetary reduction gear bathed in oil. Swing circle is single-row, shear type ball bearing with induction-hardened internal gear. Internal gear and pinion gear immersed in lubricant. Equipped with an automatic multi-disc slew brake.

● **Swing system**

XE27E	
Boom swing, left	75°
Boom swing, right	55°
Slew rate	10rpm

■ **Drive**

Each track is driven by an independent, high-torque, axial piston motor through planetary reduction gears. Two control levers provide smooth travel or counterrotation upon demand.

● **Speed & traction**

XE27E	
Travel speed (low - high)	2-3.1km
Traction force	29.7kN
Gradeability	30°

■ **Digging forces (ISO 6015)**

XE27E	
Digging force, standard arm (ISO 6015)	14kN
Digging force, bucket (ISO 6015)	23kN
Drawbar pull	29.7 kN

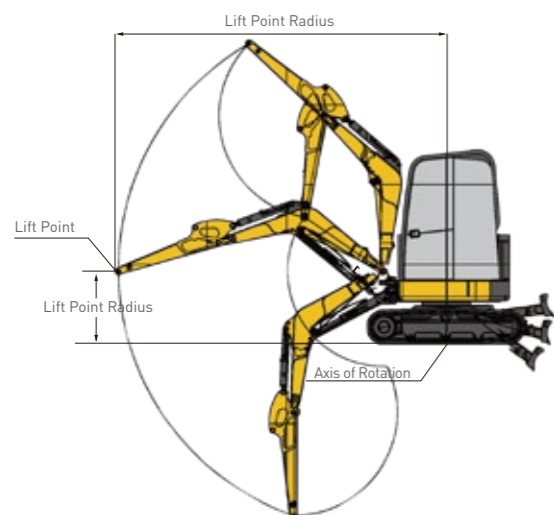
■ **Weight**

XE27E	
Operating weight with cab and bucket (ISO 6016)	2780Kg
Ground pressure with rubber tracks	26.4kPa
Transport mass (no attachment)	2650 Kg
Weight of steel tracks	200 Kg
Weight of rubber tracks	134.5 Kg

XE27U

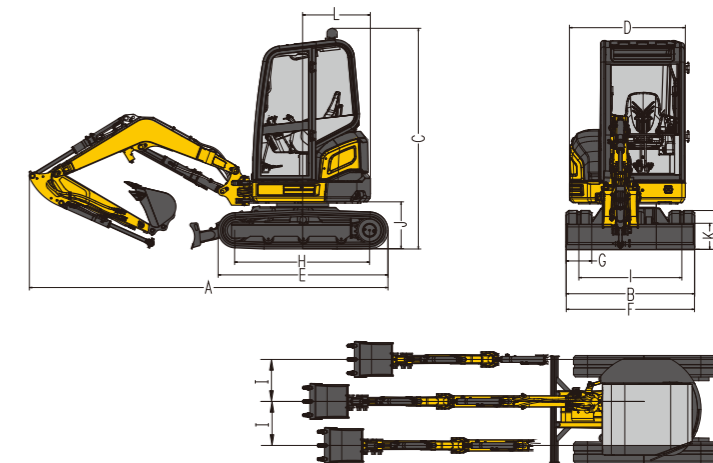
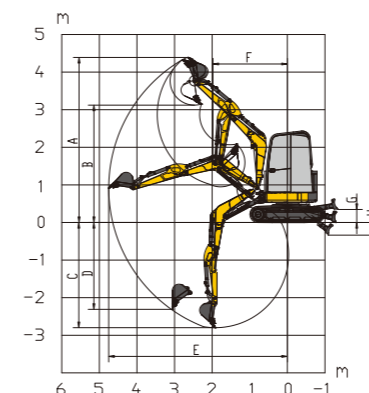
■ With cab standard arm(1300mm) without bucket

Lift Point Height	Over front blade up/down				Over Side				Max Radius (Mm)		
	Lift At Max Radius(Kg)	1.0m	2.0m	3.0m	4.0m	Lift At Max Radius(Kg)	1.0m	2.0m		3.0m	4.0m
3m	402			*435		290			360		3373
2m	310			*479		220			350		3928
1m	282		847	455	294	198		525	321	207	4105
Ground	290		791	430		203		525	298		3969
-1m	350	*1229	794	425		244	*1229	527	294		3471
-2m	*475		*596			465		562			2275



● : Over front
○ : Over side or 360°

1. The nominal forces are based on the ISO10567:2007 standard.
2. * = The nominal loads are based on hydraulic capacity.
3. The nominal loads do not exceed 87% of the hydraulic capacity or 75% of the capacity of the swing.



Working range

	XE27E	
A	Maximum digging height	4390mm
B	Maximum dumping height	3120mm
C	Maximum digging depth	2800mm
D	Maximum vertical wall digging depth	2310mm
E	Maximum digging radius	4750mm
F	Minimum swing radius	1980mm
G	Maximum Dozer Lifting Height	300mm
H	Maximum Dozer Cutting Depth	320mm
I	Boom deflection distance (left/right)	610/585mm

Dimensions

	XE27E	XE27E
A	Overall length	4190mm
B	Overall width	1500mm
C	Overall height	2580mm
D	Width of platform	1350mm
E	Length of crawler	1980mm
F	Width of chassis	1500mm
G	Width of crawler	300mm
H	Track gauge	1560mm
I	Track gauge	1300mm
J	Counterweight clearance	535mm
K	Minimum ground clearance	290mm
L	Minimum tail swing radius	790mm
M	Track height	457mm

Standard and Optional Equipment

Engine

Kubota engine D1105,EU stage V	●
--------------------------------	---

Hydraulic system

Single or dual way pipeline(AUX1)	●
Dual way pipeline(AUX2)	●
Hydraulic quick coupler pipeline	●
Fingertip proportional control	●

Cab & interior

OPG/TOPS/ROPS	●
AM /FM radio with Bluetooth	●
Adjustable seat	○
DAB radio with Bluetooth	●
Textile and permeable suspension seat with retractable belt	●
Heater	●
Colour LCD monitor	○

Undercarriage

Fixed undercarriage	●
Dozer blade	●
Rubber tracks 300mm	●
Steel tracks 300mm	○
Track guards	○

Safety

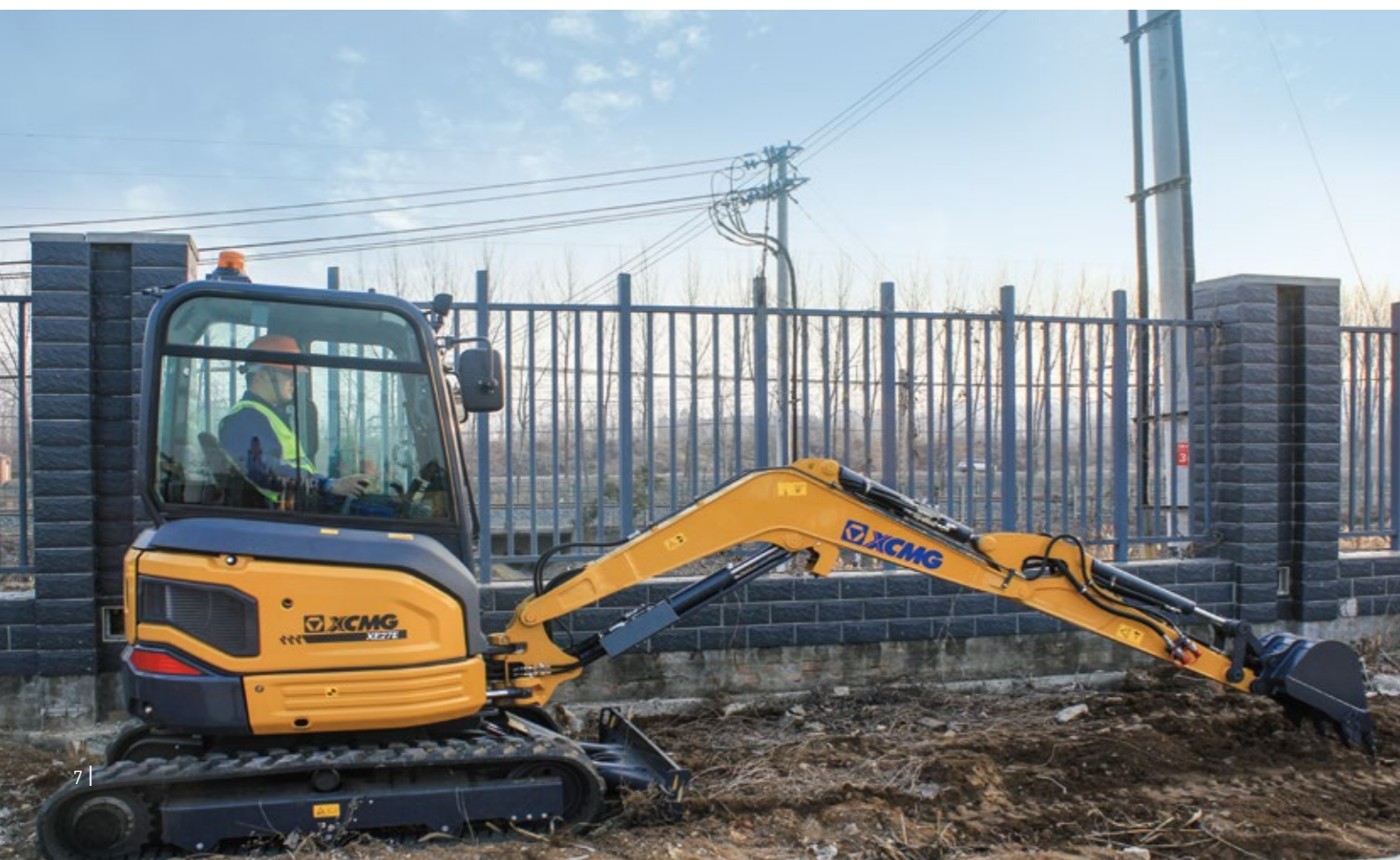
Boom, arm, dozer cylinder safety valves	●
Rotation beacon	○
Engine overheat warning and restart prevention system	●
Quick coupler switch with alarm	●
Emergency stop switch	●
Front and top cab protection	○
LED work lights (2 on cab-front, 1 on boom)	●
Tie down bracket for easy fixation	●

Other

Long Arm1300mm	●
General purpose bucket 0.061 m ³ (600mm)	○

Standard: ●
Optional: ○

Some of these options/equipment may not be available for certain markets. Please contact your local XCMG dealer for more information on availability or to customise your machine to suit your application requirements.



Optimum Service, AdvanceQuip Guaranteed



AdvanceCare is the support network for AdvanceQuip aftersales activities, delivered through our TI authorised service locations across the country.

With a full range of service and repair parts available, industry leading warranties and highly trained mechanics, your XCMG machine will be well supported, wherever you are in New Zealand

-  ADVANCEQUIP FACILITY
-  AFTERSALES PARTNER



**FULL RANGE OF
ATTACHMENTS
AVAILABLE**

